

8. Transformer based controller for 1~ motors
8.1.1-GB 5-step controller for voltage controllable fans

Type: **R-E-1.5 ... 14G**

Examples of applications for controlling 1~ fans in 5-steps

Manual 5-step speed change-over of one or more 1~ fans e. g. in:
 heat exchangers (as warm-air heaters), hoods, ventilation of rooms.

The additional voltage output 230 V (terminals 1 and 2) is activated, if fan runs at step 1, 2, 3, 4 or 5. It can be used e. g. for a signal lamp or damper control.

Equipment

Enclosed version IP 54

Transformer based controllers for voltage controllable 1~ fans

- 5-step switch for manual speed control
- Integrated power on lamp
- Automatic switch on after power failure
- For motors with thermocontacts we recommend that each fan is equipped with a separate motor protection device type S-ET10 (see data sheet 3.1.1)



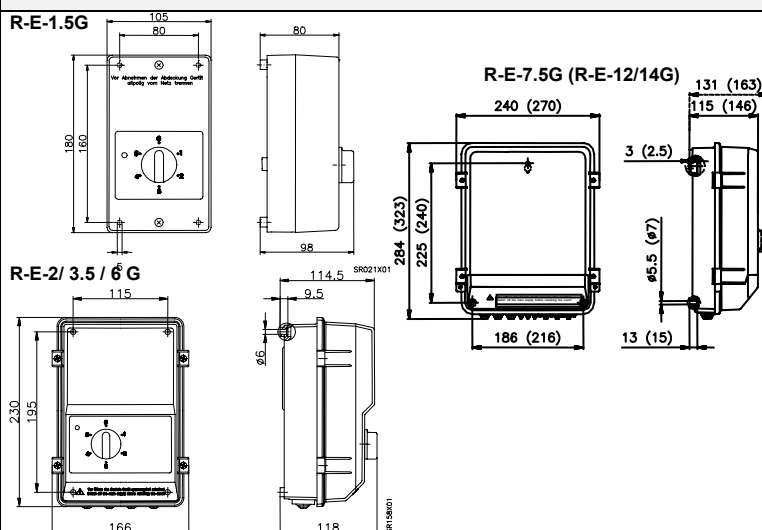
Technical data

- Line voltage 1~ 230 V, 50/60 Hz
- Output voltage 65 V - 110 V - 135 V - 170 V - 230 V
- Max. load additional contact 1 A
- Max. ambient temperature + 40° C

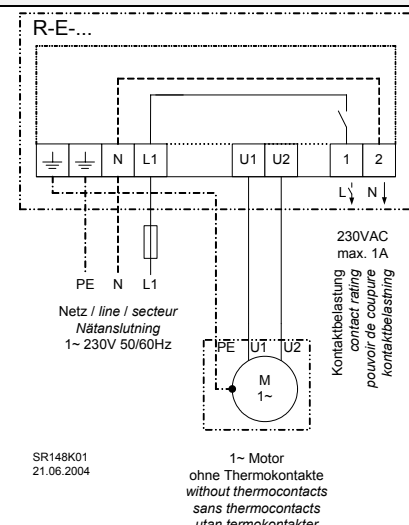
- R-E-1.5.. 6: plastic housing light grey RAL 7035
- R-E-1.5G: all-ABS
- R-E-2/3.5/6G: top ABS, bottom Wellamid
- R-E-7.5G.. R-E-14G: housing top ABS plastic light grey RAL7035 bottom aluminium die casting

Type	Part-No.	Rated current	Max. line fuse	Max. heat dissipation	Protection	Weight
R-E-1.5G	302001	1.5 A	T4 A	approx. 20 W	IP54	2.0 kg
R-E-2G	302047	2.0 A	T4 A	approx. 20 W	IP54	2.2 kg
R-E-3.5G	302048	3.5 A	T4 A	approx. 30 W	IP54	3.5 kg
R-E-6G	302049	6.0 A	T8 A	approx. 35 W	IP54	5.0 kg
R-E-7.5G	302053	7.5 A	T8 A	approx. 40 W	IP54	6.0 kg
R-E-9G	302055	9.0 A	T16 A	approx. 50 W	IP54	10.5 kg
R-E-12	302056	12.0 A	T20 A	approx. 80 W	IP21	10.5 kg
R-E-14G	302057	14.0 A	T20 A	approx. 105 W	IP54	12.5 kg

Dimension sheet [mm]



Connection diagram



Ziehl-Abegg AG
 Heinz-Ziehl-Straße
 D-74653 Künzelsau

Tel.: +49 (0) 7940 16-0
 Fax: +49 (0) 7940 16-504
 info@ziehl-abegg.de http://www.ziehl-abegg.de

