

8. Transformer based controller for 1~ motors
8.1.2-GB Controller with two separate 5-step-switches for voltage controllable fans

Type: **RUE-2/4/7.5G**

Examples of applications for controlling single phase fans in 5-steps

Manual 5-step speed change-over of one or more 1~ fans e. g. in: heat exchangers (as warm-air heaters), hoods, ventilation of rooms.

Setting of step on both 5-step-switches. Selection is done by an external switch over contact (e.g. from a time switch)

The additional voltage output 230 V (terminals 1 and 2) is activated, if fan runs at step 1, 2, 3, 4 or 5. It can be used e. g. for a signal lamp or damper control.

Equipment

Enclosed version IP 54

Transformer based controllers for voltage controllable 1~ fans

- Two separate 5-step-switches for speed setting. Switch-over between both settings via an external contact.
 - terminals 3-4 bridged = swicht "A" (left) activ
 - terminals 4-5 bridged = switch "B" (right) activ
- Integrated power-on lamp
- Automatic switch-on after power failure
- For motors with thermostats "TB" we recommend that each fan is equipped with a separate motor protection device type S-ET10



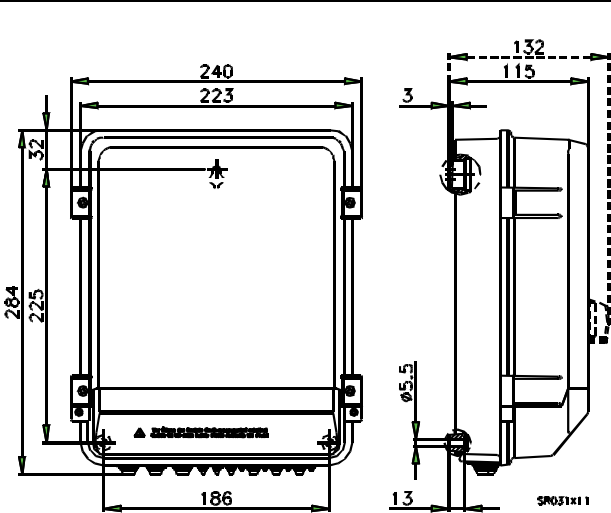
Technical data

- Line voltage 1~ 230 V, 50/60 Hz
- Output voltage 65 V - 110 V - 135 V - 170 V - 230 V
- Max. load additional contact 1 A
- Max. ambient temperature + 40° C

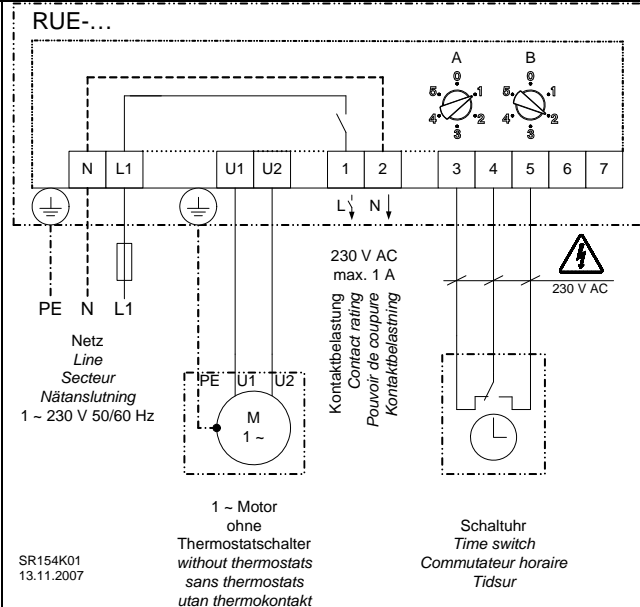
- Protection class IP54
- housing top ABS plastic light grey RAL7035 bottom aluminium die casting

Type	Part-No.	Rated current	Max. line fuse	Max. heat dissipation	Weight
RUE-2G	302063	2 A	T4 A	approx. 25 W	3.55 kg
RUE-4G	302064	4 A	T6 A	approx. 35 W	4.8 kg
RUE-7.5G	302065	7.5 A	T8 A	approx. 45 W	6.3 kg

Dimension sheet [mm]



Connection diagram



Ziehl-Abegg AG
Heinz-Ziehl-Straße
D-74653 Künzelsau

Tel.: +49 (0) 7940 16-0
Fax: +49 (0) 7940 16-504
info@ziehl-abegg.de

<http://www.ziehl-abegg.de>

