

EC axial fan - HyBlade

sickle-shaped blades (S series), single-intake
with guard grille for short nozzle

ebm-papst Mulfingen GmbH & Co. KG

Bachmühle 2 · D-74673 Mulfingen

Phone +49 7938 81-0

Fax +49 7938 81-110

info1@de.ebmpapst.com

www.ebmpapst.com

Limited partnership · Headquarters Mulfingen

Amtsgericht (court of registration) Stuttgart · HRA 590344

General partner Elektrobau Mulfingen GmbH · Headquarters Mulfingen

Amtsgericht (court of registration) Stuttgart · HRB 590142

Nominal data

Type	S3G250-AH07-52	
Motor	M3G055-CF	
Phase		1~
Nominal voltage	VAC	230
Nominal voltage range	VAC	200 .. 240
Frequency	Hz	50/60
Method of obtaining data		ml
Status		prelim.
Speed (rpm)	min ⁻¹	2330
Power consumption	W	83
Current draw	A	0.72
Max. back pressure	Pa	120
Max. back pressure	in. wg	0.48
Min. ambient temperature	°C	-25
Max. ambient temperature	°C	60

ml = Max. load · me = Max. efficiency · fa = Free air · cs = Customer specification · ce = Customer equipment

Subject to change



EC axial fan - HyBlade

sickle-shaped blades (S series), single-intake
with guard grille for short nozzle

Technical description

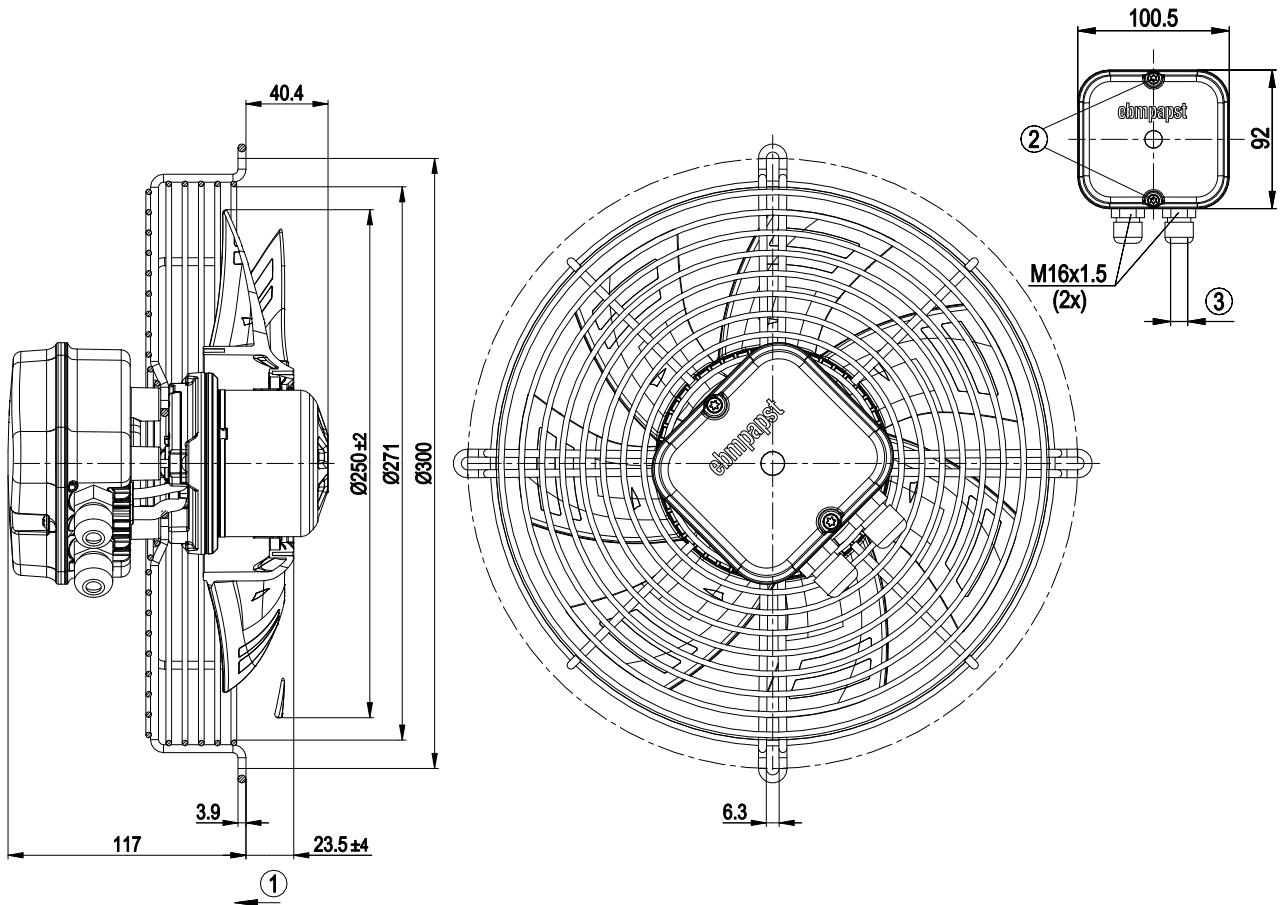
Weight	2.0 kg
Size	250 mm
Motor size	55
Rotor surface	Thick-film passivated
Terminal box material	PP plastic
Blade material	Press-fitted sheet steel blank, sprayed with PP plastic
Guard grille material	Steel, coated with black plastic (RAL 9005)
Number of blades	7
Airflow direction	V
Direction of rotation	Counterclockwise, viewed toward rotor
Degree of protection	IP54
Insulation class	"B"
Moisture (F) / Environmental (H) protection class	H1
Max. permitted ambient temp. for motor (transport/storage)	+ 80 °C
Min. permitted ambient temp. for motor (transport/storage)	- 40 °C
Installation position	Any
Condensation drainage holes	None, open rotor
Mode	S1
Motor bearing	Ball bearing
Touch current according to IEC 60990 (measuring circuit Fig. 4, TN system)	<= 3.5 mA
Electrical hookup	Terminal box
Motor protection	Electronic motor protection
With cable	Variable
Protection class	I (with customer connection of protective earth)
Conformity with standards	EN 60034-1; EN 60204-1; EN 60335-1; CE



EC axial fan - HyBlade

sickle-shaped blades (S series), single-intake
with guard grille for short nozzle

Product drawing

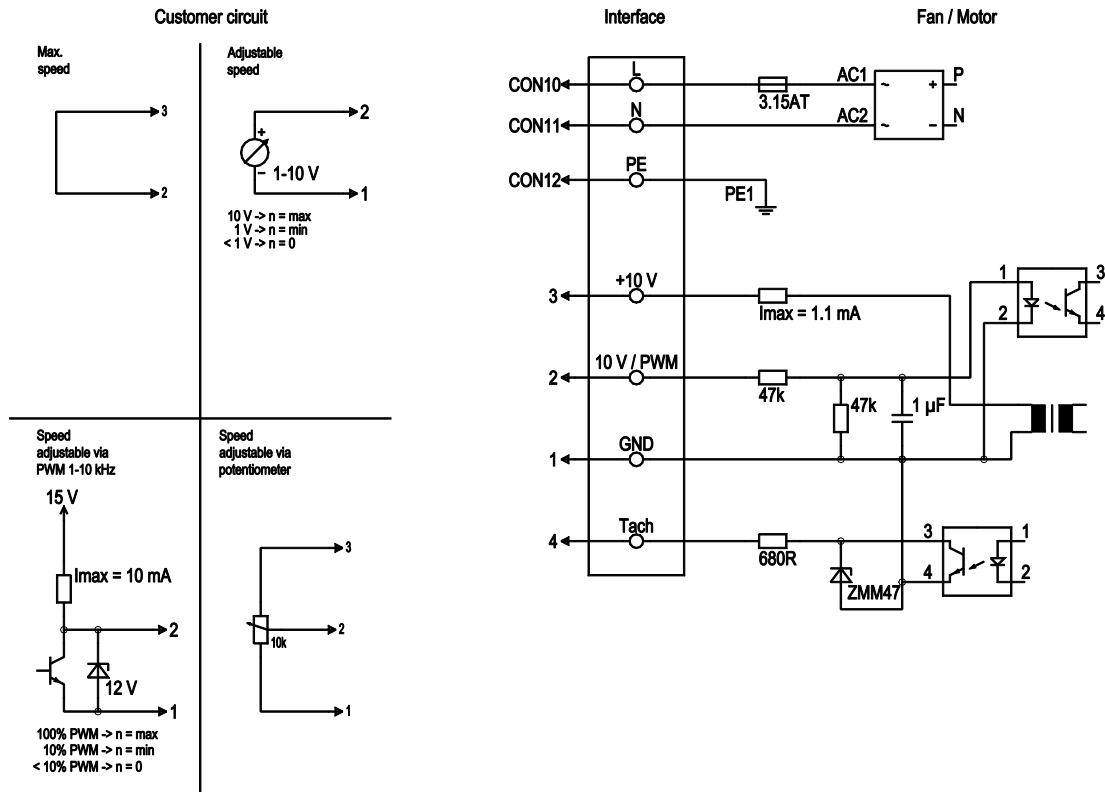


1	Direction of air flow "V"
2	Tightening torque 1.5 ± 0.2 Nm
3	Cable diameter max. 7.5 mm; tightening torque 1.3 ± 0.2 Nm

EC axial fan - HyBlade

sickle-shaped blades (S series), single-intake
with guard grille for short nozzle

Connection diagram



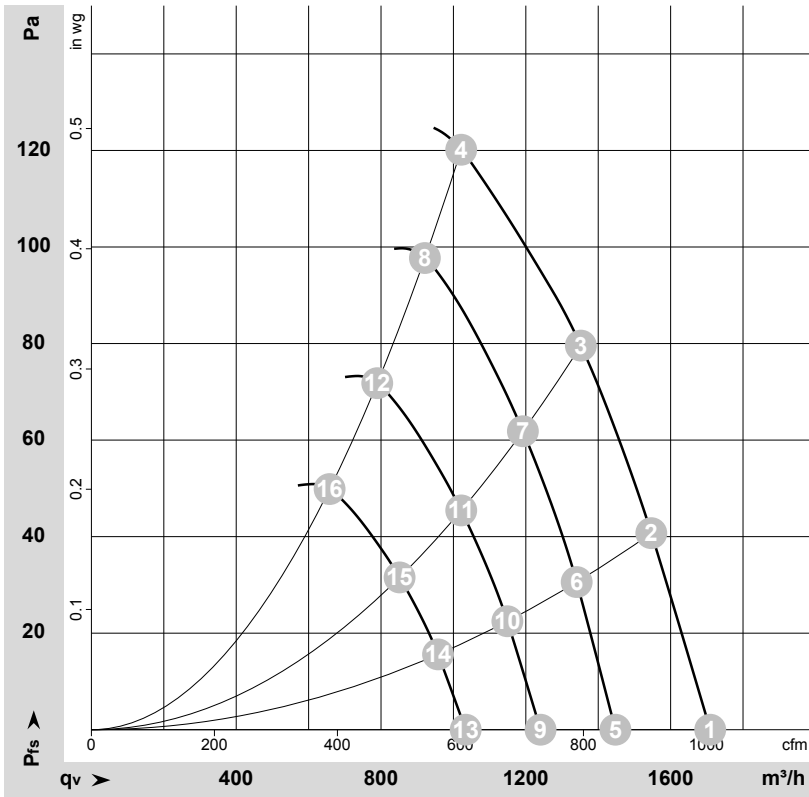
No.	Conn.	Designation	Color	Function/assignment
	CON10	L	black	Power supply 230 VAC, 50-60 Hz, see nameplate for voltage range
	CON11	N	blue	Neutral conductor
	CON12	PE	green/yellow	Protective earth
	1	GND	blue	GND connection for control interface
	2	0-10V PWM	yellow	Control input 0-10 V or PWM, electrically isolated
	3	10 V / max. 1,1 mA	red	Voltage output 10 VDC 1.1 mA, electrically isolated, short-circuit-proof
	4	Tacho	white	Tach output: open collector, 1 pulse per revolution, electrically isolated



EC axial fan - HyBlade

sickle-shaped blades (S series), single-intake
with guard grille for short nozzle

Curves: Air performance 50 Hz



$\rho = 1.15 \text{ kg/m}^3 \pm 2 \%$

Measurement: LU-140478-1

Air performance measured according to ISO 5801 installation category A. For detailed information on the measurement setup, contact ebmpapst. Intake sound level: Sound power level according to ISO 13347 / sound pressure level measured at 1 m distance from fan axis. The values given are valid under the specified measuring conditions and may vary due to conditions of installation. For deviations from the standard configuration, the parameters have to be checked on the installed unit.

Measured values

	U	f	n	P _{ed}	I	LpA _{in}	LwA _{in}	q _v	P _{fs}	q _v	P _{fs}
	V	Hz	min ⁻¹	W	A	dB(A)	dB(A)	m ³ /h	Pa	cfm	in. wg
1	230	50	2480	70	0.63	64	71	1710	0	1005	0.00
2	230	50	2425	79	0.67	64	70	1545	40	910	0.16
3	230	50	2385	84	0.71	64	71	1350	80	795	0.32
4	230	50	2330	83	0.72	66	74	1020	120	600	0.48
5	230	50	2100	43	0.38	60	66	1445	0	850	0.00
6	230	50	2100	51	0.44	60	67	1340	31	790	0.12
7	230	50	2100	57	0.48	60	67	1190	62	700	0.25
8	230	50	2100	61	0.52	64	71	920	98	540	0.39
9	230	50	1800	27	0.24	56	63	1240	0	730	0.00
10	230	50	1800	32	0.27	56	63	1150	22	675	0.09
11	230	50	1800	36	0.30	57	63	1020	46	600	0.18
12	230	50	1800	39	0.33	60	68	790	72	465	0.29
13	230	50	1500	16	0.14	51	58	1035	0	610	0.00
14	230	50	1500	19	0.16	52	58	955	16	565	0.06
15	230	50	1500	21	0.18	52	59	850	32	500	0.13
16	230	50	1500	22	0.19	55	63	660	50	385	0.20

U = Voltage · f = Frequency · n = Speed (rpm) · P_{ed} = Power consumption · I = Current draw · LpA_{in} = Sound pressure level intake side · LwA_{in} = Sound power level intake side
q_v = Air flow · P_{fs} = Pressure increase

